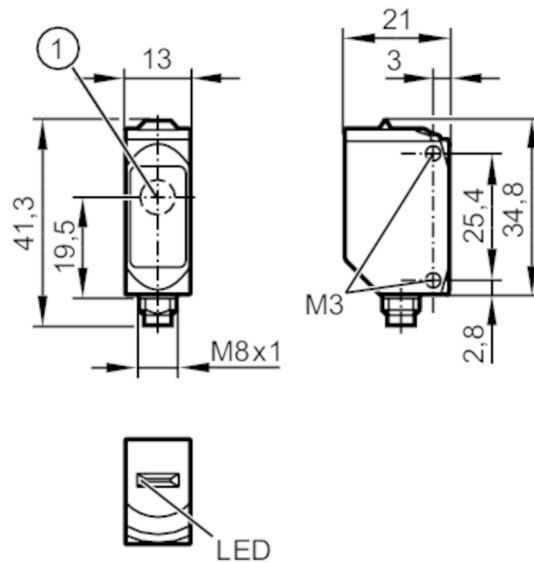


# O6S400



## Through-beam sensor transmitter

O6S-00KG/AS/4P



1: Sensing surface



### Product characteristics

Type of light	red light
Housing	rectangular

### Application

Function principle	Through-beam sensor
Application	suited for use in the machine tool industry

### Electrical data

Operating voltage	[V]	10...30 DC
Current consumption	[mA]	11; ((24 V))
Protection class		III
Type of light		red light
Wave length	[nm]	633

### Monitoring range

Transmitter / receiver		transmitter
Range	[m]	< 10
Max. light spot diameter	[mm]	300
Light spot dimensions refer to		at maximum range

### Operating conditions

Ambient temperature	[°C]	-25...60
Protection		IP 65; IP 67; IP 68

### Tests / approvals

EMC		EN 60947-5-2
MTTF	[years]	2942
UL approval		UL approval number E002

# O6S400



## Through-beam sensor transmitter

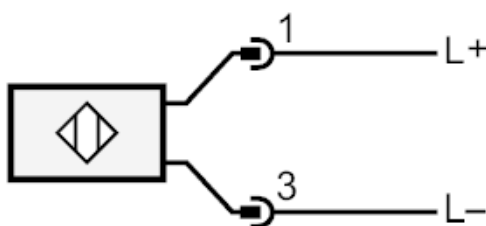
O6S-OOKG/AS/4P

Mechanical data		
Weight	[g]	33.7
Housing		rectangular
Dimensions	[mm]	34.8 x 13 x 21
Material		housing: stainless steel (1.4404 / 316L); plastics: PPSU; sealing: FKM
Lens material		PMMA
Lens alignment		Side sensing
Displays / operating elements		
Display	Power	1 x LED, green
Remarks		
Remarks		cULus - Class 2 source required
Pack quantity		1 pcs.
Electrical connection		

Connector: 1 x M8; coding: A



### Connection



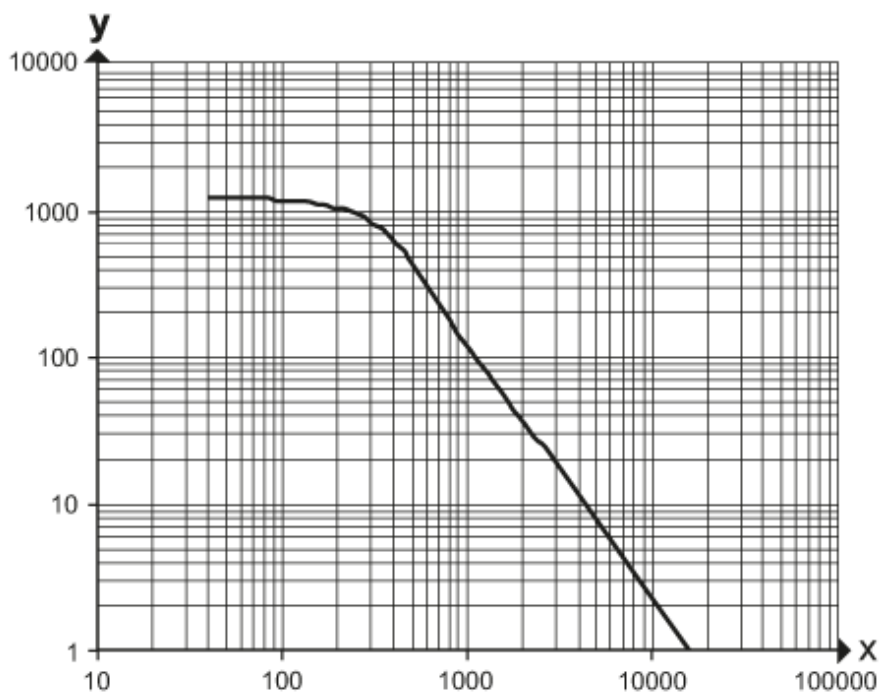


## Through-beam sensor transmitter

O6S-00KG/AS/4P

### Diagrams and graphs

excess gain graph



x: distance [mm]

y: excess gain factor