

**Gardner**  
**Denver**

POSITIVE DISPLACEMENT BLOWERS & VACUUM PUMPS

# RBS Series

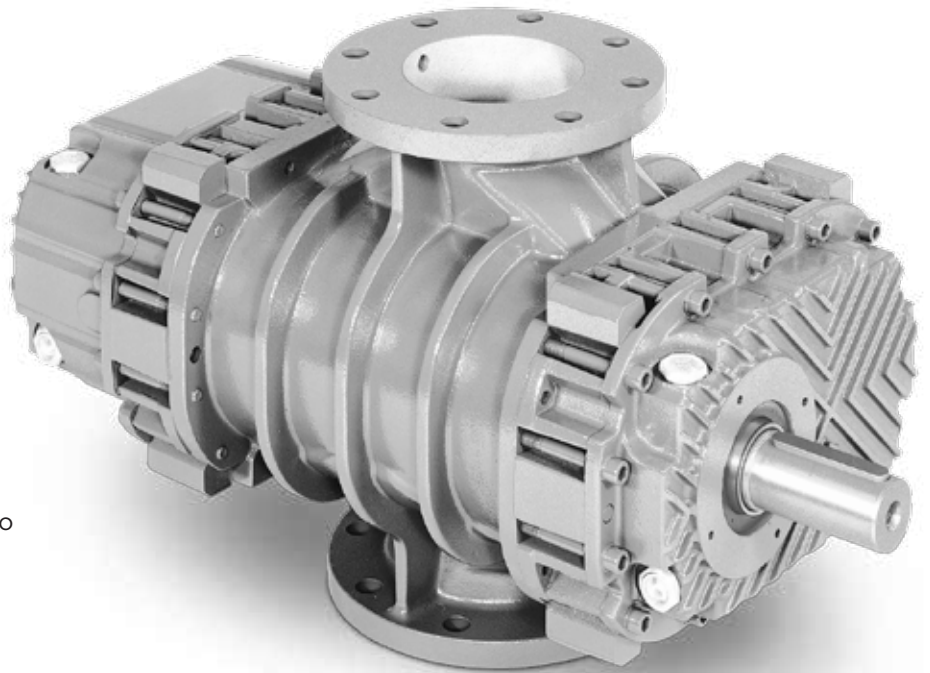




Experience **Proven Results**  
with Gardner Denver—the Leader in  
Durability, Reliability & Efficiency

# The Gardner Denver RBS Family of Products

Gardner Denver RBS positive displacement blowers/vacuum pumps have combined leading-edge technology and on-the-job experience to continuously deliver enhanced designs and improved performance.



## At-A-Glance Features

- Each model delivers clean, oil-free air to a wide range of industrial applications
- World-class engineering and design
- Rigorously tested to meet strict performance criteria to ensure unequaled service life under the most severe operating conditions
- Available in 24 different models with various configurations and rotor lengths
- Horizontal or vertical mounting configuration available for each blower
- Supported by a worldwide network of trained professionals and backed by a manufacturer's warranty
  - 18 months from the date of shipment or
  - 12 months from the date of installation, whichever occurs first

## THE RBS PRODUCT LINE DELIVERS

Pressure to 15 psig

Vacuum to 15 inHg

Airflow to 14,570 cfm



# RBS Design Advantages

## Dual Splash Lubrication

Reliable dual splash lubrication on both the drive and gear ends for longer product life.

## Helical Gears

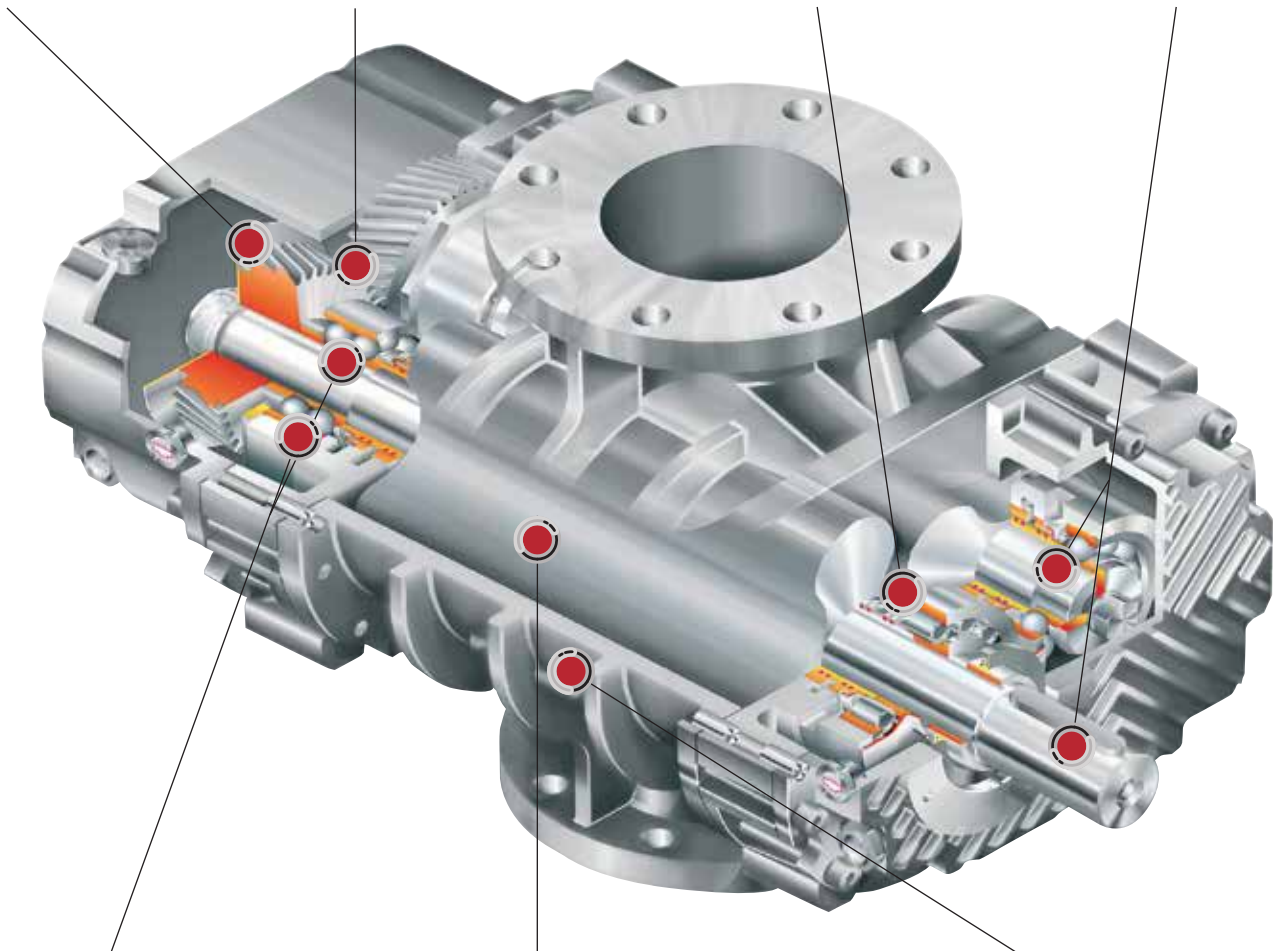
Helical timing gears for smooth and quiet operation at all speeds.

## Leak Free Operation

Piston rings and flinger maximize seal life in continuous severe duty applications.

## Durable Shafts

High strength shafts that allow higher operating pressures and rotation speeds.



## Long Life Bearings

Reinforced roller bearings are calculated for a lifespan of 100,000 hours under the most severe operating conditions.

## Three-Lobe Rotors

Involute Three-Lobe Rotors offer the highest performances and efficiencies.

## Single Piece Cylinder

High strength impeller case is heavily ribbed and machined from a single piece of cast iron to retain internal clearances and improve heat dissipation.

# The Perfect Fit For Your Industry Needs

Industry	Application
Aquaculture	Aeration
Cement & Lime	Fluidization & Conveying
Chemical	Vacuum Processing & Conveying
Dairy	Automated Milking
Dry Bulk Hauling	Trailer Unloading & Aeration
Environmental Services	Sewer Cleaning & Portable Restroom Services
Industrial	Material Vacuuming
Milling & Baking	Blending & Conveying
Power Generation	Fly Ash Conveying & Aeration
Pulp & Paper	Chip Conveying & Process Vacuum
Resin & Plastic	Processing & Conveying
Vacuum Excavation	Potholing & Slurry Recovery
Wastewater	Aeration & Backwashing

The table above illustrates industries which depend upon the RBS Series to deliver clean, oil-free air to a wide range of global applications.



# RBS Pressure Performance Data

## MEDIUM PRESSURE UNITS

MODEL	ANSI FLANGE SIZE	RPM	4 PSI		6 PSI		8 PSI		10 PSI	
			CFM	BHP	CFM	BHP	CFM	BHP	CFM	BHP
RBS 25	2.5"	1500	39.8	1.7	32.7	2.4	0	0	0	0
		2600	92.3	3.0	85.1	4.1	79.2	5.2	0	0
		3600	139.9	4.2	132.8	5.7	126.8	7.2	121.5	8.7
		4400	178.0	5.1	170.9	7.0	164.9	8.8	159.6	10.6
		5000	206.6	5.8	199.5	7.9	193.5	10.0	188.2	12.1
RBS 46	4"	1500	163.9	4.4	151.6	6.3	141.2	8.2	0	0
		2600	324.3	8.3	312	11.6	301.6	14.9	292.5	18.3
		3600	470.1	12.5	457.8	17.0	447.4	21.6	438.2	26.2
		4400	586.7	16.1	574.4	21.7	564	27.3	554.9	32.9
		5000	674.2	19.1	661.9	25.4	651.5	31.8	642.3	38.2
RBS 66	6"	1500	307.8	7.4	285.3	11.0	266.2	14.5	0	0
		2600	607.2	13.8	584.7	19.9	565.6	26.1	548.9	32.3
		3600	879.4	20.8	856.8	29.4	837.8	37.9	821.0	46.5
		4400	1097.1	27.7	1074.5	38.2	1055.5	48.6	1038.8	59.1
		4800	1206.0	31.7	1183.4	43.1	1164.4	54.5	1147.6	65.9
RBS 86	8"	1500	667.8	15.2	632.2	22.4	602.3	29.6	575.9	36.8
		2600	1273.6	29.2	1238.0	41.7	1208.0	54.2	1181.6	66.7
		3000	1493.8	35.3	1458.3	49.8	1428.3	64.2	1401.9	78.6
		3400	1714.1	42.2	1678.5	58.5	1648.6	74.8	1622.1	91.2
		3800	1934.4	49.7	1898.8	68.0	1868.8	86.3	1842.4	104.5
RBS 106	8"	1200	1029.9	22.8	978.6	33.8	935.4	44.7	897.3	55.7
		1500	1344.4	29.1	1293.1	42.8	1249.9	56.5	1211.8	70.2
		2200	2078.3	45.4	2027.0	65.5	1983.8	85.6	1945.7	105.8
		2600	2497.7	56.0	2446.4	79.8	2403.1	103.6	2365.1	127.4
		3000	2917.0	67.9	2865.7	95.3	2822.5	122.8	2784.4	150.2
RBS 126	10"	900	1494.2	33.9	1408.1	50.3	1335.4	66.6	1271.4	83.0
		1400	2537.3	55.2	2451.2	80.6	2378.6	106.1	2314.6	131.6
		1600	2954.6	64.5	2868.4	93.6	2795.8	122.7	2731.8	151.9
		2000	3789.1	85.0	3702.9	121.4	3630.3	157.8	3566.3	194.2
		2400	4623.6	108.5	4537.4	152.2	4464.8	195.9	4400.8	239.5
RBS 155	12"	900	2961.8	61.9	2860.6	91.7	2775.3	121.4	2700.1	151.2
		1200	4099.2	84.9	3997.9	124.6	3912.6	164.3	3837.5	204.0
		1400	4857.4	101.4	4856.2	147.7	4670.9	194.1	4595.7	240.4
		1600	5615.6	119.0	5514.4	171.9	5429.1	224.9	5353.9	277.8
		1800	6373.9	137.8	6272.7	197.4	6187.4	256.9	6112.2	316.4
RBS 225	20"	600	6866.1	158.8	6674.6	226.1	6513.2	293.5	6371	360.8
		750	8795.6	198.5	8604.1	282.7	8442.7	366.8	8300.5	451.0
		850	10081.9	225.0	9890.4	320.3	9729.0	415.7	9586.8	511.1
		1000	12011.4	264.7	11819.9	376.9	11658.5	489.1	11516.3	601.3
		1200	14584.0	317.6	14392.6	452.3	14231.2	586.9	14089	721.6

## HIGH PRESSURE UNITS

MODEL	ANSI FLANGE SIZE	RPM	4 PSI		6 PSI		8 PSI		10 PSI		13 PSI		15 PSI	
			CFM	BHP	CFM	BHP	CFM	BHP	CFM	BHP	CFM	BHP	CFM	BHP
RBS 15	2"	1500	31.2	1.3	25.6	1.8	0	0	0	0	0	0	0	0
		2600	72.3	2.2	66.7	3.0	62.0	3.9	57.8	4.7	0	0	0	0
		3600	109.8	3.0	104.1	4.2	99.4	5.4	95.3	6.6	0	0	0	0
		4400	139.7	3.7	134.1	5.1	129.4	6.6	125.2	8.0	119.7	10.2	0	0
		5000	162.1	4.2	156.5	5.8	151.8	7.5	147.6	9.1	142.7	11.5	0	0
RBS 35	3"	1500	68.8	1.9	60.4	2.8	53.4	3.8	47.2	4.7	0	0	0	0
		2600	146.4	3.6	138.1	5.2	131.1	6.8	124.9	8.4	116.6	10.8	0	0
		3600	217.0	5.4	208.7	7.6	201.7	9.8	195.5	12.0	187.2	15.4	182.3	17.6
		4400	273.5	7.1	265.2	9.8	258.1	12.6	251.9	15.3	243.7	19.3	238.8	22.0
		5000	315.9	8.7	307.5	11.8	300.5	14.8	294.3	17.9	286.1	22.5	281.1	25.6
RBS 45	3"	1500	102.6	3.3	92.4	4.6	83.7	5.9	0	0	0	0	0	0
		2600	211.3	5.7	201.1	7.9	192.4	10.2	184.8	12.4	174.7	15.8	0	0
		3600	310.2	7.9	299.9	11.0	291.3	14.4	283.7	17.2	273.5	21.9	0	0
		4400	389.3	9.7	379.0	13.4	370.4	17.2	362.7	21.0	352.6	26.7	346.5	30.5
		5000	448.6	11.0	438.3	15.3	429.7	19.6	422.0	23.9	411.9	30.4	405.8	34.7

MODEL	ANSI FLANGE SIZE	RPM	4 PSI		6 PSI		8 PSI		10 PSI		13 PSI		15 PSI	
			CFM	BHP	CFM	BHP	CFM	BHP	CFM	BHP	CFM	BHP	CFM	BHP
RBS 55	4"	1500	167.4	4.0	156.4	5.8	147.2	7.7	139.1	9.6	128.3	12.4	0	0
		2600	325.8	7.5	314.8	10.7	305.6	14.0	297.5	17.3	286.7	22.2	280.2	25.4
		3600	469.8	11.5	458.9	16.1	449.6	20.6	441.5	25.1	430.7	31.9	424.2	36.4
		4400	585.0	15.6	574.1	21.2	564.9	26.7	556.7	32.2	545.9	40.5	539.4	46.0
		4800	642.6	18.0	631.7	24.0	622.5	30.1	614.3	36.1	603.6	45.1	597.0	51.2
RBS 65	6"	1500	228.1	5.2	215.1	7.7	204.2	10.2	194.5	12.7	0	0	0	0
		2600	437.8	9.8	424.8	14.1	413.9	18.5	404.2	22.8	391.4	29.3	0	0
		3600	628.4	15.1	615.4	21.1	604.5	27.1	594.8	33.1	582.0	42.0	574.3	48.0
		4400	780.9	20.3	767.9	27.7	757.0	35.0	747.3	42.3	734.5	53.3	726.8	60.6
		4800	857.2	23.4	844.2	31.4	844.2	39.3	823.6	47.3	810.8	59.3	803.0	67.3
RBS 75	6"	1500	350.8	8.0	333.1	11.7	318.1	15.5	304.9	19.2	287.3	24.8	0	0
		2600	666.1	15.4	648.4	21.9	633.4	28.4	620.2	34.9	602.6	44.6	592.1	51.1
		3000	780.8	18.6	763.0	26.1	748.0	33.6	734.8	41.1	717.3	52.4	706.7	59.9
		3400	895.5	22.3	877.7	30.8	862.7	39.3	849.5	47.8	831.9	60.5	821.4	69.0
		3800	1010.1	26.4	992.3	35.9	977.3	45.4	964.1	54.9	946.6	69.1	936.0	78.6
RBS 85	6"	1500	513.7	11.8	486.3	17.3	463.3	22.9	443.0	28.4	0	0	0	0
		2600	979.7	22.8	952.3	32.4	929.2	42.0	908.9	51.6	882.0	66.0	865.7	75.6
		3000	1149.1	27.6	1121.7	38.7	1098.7	49.8	1078.4	60.9	1051.4	77.5	1035.1	88.6
		3400	1318.5	33.0	1291.2	45.6	1268.1	58.2	1247.8	70.7	1220.8	89.6	1204.6	102.1
		3800	1488.0	39.1	1460.6	53.2	1437.6	67.2	1417.2	81.2	1390.3	102.3	1374.0	116.4
RBS 95	6"	1200	579.6	13.1	550.9	19.3	526.7	25.5	505.4	31.6	477.0	40.9	0	0
		1500	756.5	16.9	727.8	24.6	703.5	32.4	682.2	40.1	653.9	51.6	636.8	59.4
		2200	1169.1	27.3	1140.4	38.7	1116.2	50.0	1094.9	61.3	1066.5	78.3	1049.5	89.6
		2600	1404.9	34.5	1376.2	47.9	1352.0	61.3	1330.7	74.6	1302.3	94.7	1285.3	108.1
		3000	1640.7	42.8	1612.0	58.2	1587.8	73.7	1566.5	89.1	1538.2	112.2	1521.1	127.7
RBS 105	8"	1200	756.2	16.9	719.3	24.9	688.1	32.9	660.7	40.0	624.3	53.0	0	0
		1500	986.3	21.7	949.4	31.7	918.2	41.7	890.8	51.8	854.4	66.8	0	0
		2200	1523.2	34.4	1486.3	49.2	1455.2	63.9	1427.8	78.6	1391.4	100.7	1369.4	115.4
		2600	1830.1	43.0	1793.2	60.4	1762.0	77.8	1734.6	95.2	1698.2	121.3	1676.2	138.7
		3000	2136.9	52.8	2100.0	72.9	2068.8	93.0	2041.4	113	2005.0	143.2	1983.0	163.2
RBS 115	8"	900	834.6	18.9	790.9	27.9	754.0	36.8	721.5	45.8	678.3	59.3	0	0
		1400	1406.5	31.4	1362.7	45.3	1325.8	59.3	1293.3	73.3	1250.2	94.2	1224.1	108.2
		1600	1635.2	37.0	1591.5	53.0	1554.6	69.0	1522.1	84.9	1478.9	108.9	1452.9	124.8
		2000	2092.7	49.9	2048.9	69.8	2012.1	89.8	1979.5	109.8	1936.4	139.7	1910.3	159.6
		2400	2550.2	65.1	2506.4	89.1	2469.5	113.0	2437.0	137.0	2393.9	172.9	2367.8	196.8
RBS 125	10"	900	1084	24.0	1032.1	35.4	988.3	46.9	948.3	58.4	898.4	75.6	0	0
		1400	1814.7	39.5	1762.8	57.3	1719.0	75.2	1673.3	93.0	1629.1	119.8	1598.2	137.7
		1600	2107.0	46.5	2055.1	66.9	2011.2	87.3	1967.7	107.7	1921.4	138.3	1890.5	158.7
		2000	2691.6	62.0	2639.6	87.5	2595.8	113.0	2559.5	138.5	2506.0	176.8	2475.0	202.3
		2400	3276.2	80.3	3224.2	110.9	3180.4	141.5	3138.0	172.1	3090.5	218.0	3059.6	248.6
RBS 135	10"	900	1620.2	34.9	1555.9	51.6	1501.7	68.2	1459.3	84.8	1390.6	109.8	1352.3	126.4
		1200	2255.6	48.3	2191.3	70.5	2137.1	92.6	2084.3	114.8	2026	148.1	1987.7	170.2
		1400	2679.2	58.0	2614.9	83.9	2560.7	109.7	2512.1	135.6	2449.6	174.4	2411.3	200.3
		1600	3102.8	68.5	3038.5	98.0	2984.3	127.6	2939.5	157.2	2873.2	201.5	2834.9	231.1
		1800	3526.4	79.8	3462.1	113.1	3407.9	146.3	3359.0	179.6	3296.8	229.5	3258.5	262.7
RBS 145	12"	900	2347.6	50.4	2251.8	74.6	2171.1	98.8	2115.5	123.0	2005.6	159.3	0	0
		1200	3272.1	69.4	3176.3	101.7	3095.6	133.9	3023.3	166.2	2930.1	214.6	0	0
		1400	3888.4	83.0	3792.7	120.6	3712.0	158.3	3622.1	195.9	3546.4	252.4	3489.5	290.0
		1600	4504.7	97.6	4409.0	140.6	4328.3	183.6	4249.5	226.6	4162.8	291.1	4105.8	334.2
		1800	5121.1	113.2	5025.3	161.6	4944.6	210.0	4869.0	258.4	4779.1	331.0	4722.2	379.4
RBS 165	12"	650	2586.4	62.8	2471.5	89.8	2374.7	116.8	2281.5	143.8	2176.1	184.4	2107.7	211.4
		900	3777.8	86.9	3662.9	124.3	3566.1	161.7	3473.3	199.2	3367.4	255.3	3299.1	292.7
		1100	4730.9	106.2	4616.0	151.9	4519.2	197.7	4432.1	243.4	4320.5	312.0	4252.2	357.7
		1300	5684.0	125.5	5569.1	179.6	5472.3	233.6	5389.5	287.7	5273.6	368.7	5205.3	422.8
		1500	6637.1	144.8	6522.2	207.2	6425.4	269.6	6341.0	331.9	6226.7	425.5	6158.4	487.8
RBS 175	14"	650	3611.5	85.5	3489.7	121.8	3387.1	158.0	3291.5	194.2	3176.7	248.6	0	0
		900	5208.8	118.4	5087.1	168.6	4984.4	218.8	4893.3	268.9	4774.0	344.2	4701.6	394.4
		1100	6486.6	144.7	6364.9	206.1	6262.3	267.4	6152.1	328.7	6051.9	420.7	5979.4	482.0
		1300	7764.5	171.1	7642.8	243.5	7540.2	316.0	7439.5	388.5	7329.7	497.2	7257.3	569.6
		1500	9042.4	197.4	8920.6	281.0	8818.0	364.4	8722.0	448.2	8607.6	573.7	8535.2	657.3
RBS 205	16"	600	4615.0	107.5	4464.6	153.6	4337.8	199.7	4215.5	245.8	4077.7	315.0	0	0
		750	5936.1	134.4	5785.7	192.0	5658.9	249.6	5549.3	307.2	5398.8	393.7	5309.3	451.3
		850	6816.9	152.3	6666.4	217.6	6539.6	282.9	6432.1	348.2	6279.5	446.2	6190.0	511.5
		1000	8138.0	179.1	7987.5	256.0	7860.7	332.8	7749.5	409.7	7600.6	524.9	7511.1	601.8
		1200	9899.4	215.0	9749.0	307.2	9622.2	399.4	9443.0	491.6	9362.1	629.9	9272.6	722.1

Performance based on inlet air at standard temperature of 68° F, an ambient pressure of 14.7 psia and 36% relative humidity. For performance at non-standard conditions, contact your authorized Gardner Denver representative.



# RBS Vacuum Performance Data

## MEDIUM PRESSURE UNITS

MODEL	ANSI FLANGE SIZE	RPM	6" Hg		7" Hg		9" Hg		10" Hg		13" Hg		14" Hg	
			CFM	BHP	CFM	BHP	CFM	BHP	CFM	BHP	CFM	BHP	CFM	BHP
RBS 25	2.5"	1500	41.1	1.4	38.0	1.6	31.7	1.9	0	0	0	0	0	0
		2600	93.5	2.5	90.4	2.7	84.1	3.3	80.9	3.5	0	0	0	0
		3600	141.2	3.4	138	3.8	131.8	4.5	128.6	4.9	0	0	0	0
		4400	179.3	4.2	176.2	4.6	169.9	5.5	166.7	6	156.5	7.3	0	0
		5000	207.9	4.7	204.8	5.2	198.5	6.3	195.3	6.8	185.1	8.3	0	0
RBS 46	4"	1500	166.1	3.4	160.7	3.9	149.8	4.8	144.3	5.3	0	0	0	0
		2600	326.5	6.6	321.0	7.4	310.2	9.0	304.7	9.8	287.1	12.3	0	0
		3600	472.3	10.0	466.8	11.2	456.0	13.4	450.5	14.5	432.8	17.9	0	0
		4400	588.9	13.2	583.5	14.5	572.6	17.3	567.1	18.7	549.5	22.8	543	24.2
		5000	676.4	15.7	670.6	17.3	660.1	20.4	654.6	22.0	636.9	26.7	630.5	28.2
RBS 66	6"	1500	311.9	5.5	301.9	6.4	282	8.1	271.9	9	0	0	0	0
		2600	611.2	10.5	601.3	12	581.4	15.1	571.3	16.6	539.0	21.1	0	0
		3600	883.4	16.3	873.4	18.4	853.6	22.6	843.5	24.7	811.1	31.0	0	0
		4400	1101.1	22.2	1091.2	24.8	1071.3	29.9	1061.2	32.5	1028.9	40.2	1017.0	42.8
		4800	1210.0	25.7	1200.0	28.5	1180.2	34.1	1170	36.9	1137.7	45.3	1125.9	48.1
RBS 86	8"	1500	674.1	11.4	658.4	13.2	627.1	16.7	611.2	18.5	0	0	0	0
		2600	1279.9	22.6	1264.2	25.7	1232.9	31.8	1216.9	34.9	1166	44.1	0	0
		3000	1500.2	27.7	1484.5	31.3	1453.1	38.4	1437.2	41.9	1386.3	52.5	1367.7	56.1
		3400	1720.4	33.5	1704.7	37.6	1673.4	45.6	1657.5	49.6	1606.5	61.6	1587.9	65.6
		3800	1940.7	40.1	1925.0	44.6	1893.7	53.6	1877.8	58.1	1826.8	71.5	1808.2	76
RBS 106	8"	1200	1039	17	1016.4	19.7	971.2	25.1	948.2	27.8	0	0	0	0
		1500	1353.6	21.8	1330.9	25.2	1285.7	31.9	1262.8	35.3	1189.3	45.4	0	0
		2200	2087.5	34.8	2064.8	39.7	2019.6	49.6	1996.6	54.5	1923.2	69.4	1896.3	74.3
		2600	2506.8	43.5	2484.2	49.4	2439.0	61.0	2416.0	66.9	2342.5	84.4	2315.7	90.2
		3000	2926.2	53.5	2903.5	60.2	2858.4	73.7	2835.4	80.4	2761.9	100.6	2735.1	107.4
RBS 126	10"	900	1509.6	25.2	1471.5	29.3	1395.7	37.3	1357.1	41.3	0	0	0	0
		1400	2552.7	41.7	2514.7	48.0	2438.8	60.5	2400.2	66.8	2276.7	85.5	0	0
		1600	2970.0	49.2	2931.9	56.3	2856.0	70.6	2817.4	77.8	2694.0	99.2	0	0
		2000	3804.5	65.9	3766.4	74.8	3690.5	92.7	3651.9	101.6	3528.5	128.4	3483.4	137.4
		2400	4639.0	85.5	4600.9	96.2	4525.5	117.7	4486.4	128.4	4363.0	160.5	4317.9	171.3
RBS 155	12"	900	2979.8	46.2	2935.4	53.5	2846	68.1	2800.7	75.4	2655.7	97.4	0	0
		1200	4117.2	64.0	4072.5	73.8	3983.4	93.3	3938.0	103.0	3793.0	132.2	3740.1	142.0
		1400	4875.5	77.0	4830.7	88.4	4741.6	111.2	4696.3	122.5	4551.3	156.6	4498.3	168.0
		1600	5633.7	91.1	5589.0	104.1	5499.9	130.1	5454.5	143.1	5309.5	182.1	5256.6	195.1
		1800	6391.9	106.5	6347.2	121.1	6258.1	150.3	6212.8	164.9	6067.8	208.8	6014.8	223.4
RBS 225	20"	600	6900.2	123.3	6815.6	139.9	6647	172.9	6561.2	189.4	6286.9	239.0	0	0
		750	8829.7	154.2	8745.1	174.8	8576.5	216.2	8490.7	236.8	8216.4	298.8	8116.2	319.5
		850	10116.0	174.7	10031.5	198.1	9862.8	245.0	9777.0	268.4	9502.7	338.6	9402.6	362.1
		1000	12045.5	205.5	11961.0	233.1	11792.3	288.2	11706.5	315.7	11432.2	398.4	11332.1	426.0
		1200	14618.2	246.6	14533.6	279.7	14365	345.8	14279.2	378.9	14004.9	478.1	13904.7	511.2

## HIGH PRESSURE UNITS

MODEL	ANSI FLANGE SIZE	RPM	6" Hg		7" Hg		10" Hg		12" Hg		14" Hg		15" Hg	
			CFM	BHP	CFM	BHP	CFM	BHP	CFM	BHP	CFM	BHP	CFM	BHP
RBS 15	2"	1500	32.2	1.0	29.7	1.1	22.2	1.5	0	0	0	0	0	0
		2600	73.3	1.7	70.9	1.9	63.4	2.6	58.2	3.0	0	0	0	0
		3600	110.8	2.4	108.3	2.7	100.8	3.6	95.6	4.1	0	0	0	0
		4400	140.7	2.9	138.2	3.3	130.8	4.4	125.5	5.1	119.8	5.8	0	0
		5000	163.1	3.3	160.7	3.7	153.2	4.9	148.0	5.7	142.2	6.5	0	0
RBS 35	3"	1500	70.3	1.4	66.6	1.7	55.5	2.3	47.7	2.8	0	0	0	0
		2600	147.9	2.7	144.2	3.1	133.2	4.3	125.3	5.1	166.8	5.9	0	0
		3600	218.5	4.2	214.8	4.7	203.8	6.4	195.9	7.5	187.4	8.6	182.8	9.1
		4400	275.0	5.7	271.3	6.5	260.2	8.4	252.4	9.7	243.9	11	239.3	11.7
		5000	317.4	7.0	313.7	7.8	302.6	10.1	294.8	11.6	286.3	13.1	281.7	13.9
RBS 45	3"	1500	104.5	2.6	99.9	2.9	86.3	3.9	76.7	4.5	0	0	0	0
		2600	213.2	4.5	208.6	5.1	195	6.7	185.4	7.8	175.0	8.9	0	0
		3600	312.0	6.3	307.5	7	293.9	9.3	284.2	10.8	273.8	12.4	0	0
		4400	391.1	7.7	386.6	8.6	372.9	11.4	363.3	13.2	352.9	15.1	347.2	16.0
		5000	450.4	8.7	445.9	9.8	432.2	12.9	422.6	15.0	412.2	17.2	406.5	18.2



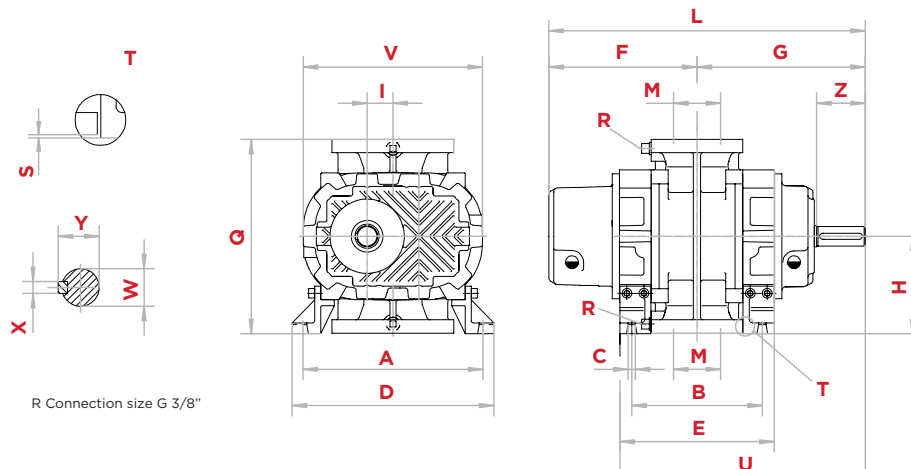
MODEL	ANSI FLANGE SIZE	RPM	6" Hg		7" Hg		10" Hg		12" Hg		14" Hg		15" Hg	
			CFM	BHP	CFM	BHP	CFM	BHP	CFM	BHP	CFM	BHP	CFM	BHP
RBS 55	4"	1500	168.8	3.0	163.9	3.4	149.4	4.8	139.2	5.7	128.0	6.6	0	0
		2600	326.8	5.7	322.0	6.5	307.4	8.9	297.2	10.5	286.0	12.1	280.0	12.9
		3600	470.5	9.1	465.7	10.3	451.1	13.6	440.9	15.8	429.7	18.0	423.7	19.1
		4400	585.4	12.7	580.6	14.0	566.1	18.1	555.8	20.8	544.7	23.5	538.6	24.9
		4800	642.9	14.8	638.1	16.3	623.5	20.7	613.3	23.7	602.1	26.6	596.1	28.1
RBS 65	6"	1500	230.4	3.9	224.7	4.5	207.4	6.4	195.3	7.6	0	0	0	0
		2600	440.1	7.5	434.4	8.6	417.1	11.8	404.9	13.9	391.7	16.0	384.5	17.1
		3600	630.7	11.9	625.0	13.4	607.7	17.8	595.6	20.8	582.3	23.7	575.1	25.2
		4400	783.2	16.5	777.5	18.3	760.2	23.7	748.1	27.3	734.8	30.9	727.6	32.7
		4800	859.5	19.2	853.7	21.1	836.5	27.0	824.3	30.9	811.1	34.9	803.9	36.8
RBS 75	6"	1500	354.0	6.0	346.2	6.9	322.5	9.7	305.9	11.5	287.8	13.3	0	0
		2600	669.3	11.9	661.5	13.5	637.8	18.3	621.2	21.5	603.1	24.7	593.2	26.3
		3000	784.0	14.7	776.1	16.5	752.5	22.0	735.8	25.7	717.7	29.4	707.9	31.2
		3400	898.6	17.8	890.8	19.9	867.1	26.1	850.5	30.3	832.4	34.5	822.5	36.6
		3800	1013.3	21.4	1005.4	23.7	981.8	30.7	965.1	35.4	947.0	40.0	937.2	42.4
RBS 85	6"	1500	518.6	8.8	506.5	10.2	470.1	14.3	444.5	17.0	0	0	0	0
		2600	984.5	17.7	972.5	20.0	936.1	27.1	910.5	31.8	882.6	36.6	867.5	38.9
		3000	1154.0	21.8	1141.9	24.5	1105.5	32.6	1079.9	38.1	1052.1	43.5	1036.9	46.3
		3400	1324.3	26.4	1311.3	29.5	1275.0	38.7	1249.4	44.9	1221.5	51.1	1206.3	54.2
		3800	1492.9	31.7	1480.8	35.2	1444.4	45.5	1418.8	52.4	1390.9	59.3	1375.8	62.8
RBS 95	6"	1200	584.7	9.9	572.1	11.4	533.9	15.9	507.0	18.9	477.7	22.0	461.8	23.5
		1500	761.6	12.9	748.9	14.8	710.7	20.4	683.8	24.2	654.6	28.0	638.7	29.9
		2200	1174.3	21.4	1161.6	24.2	1123.4	32.5	1096.5	38.0	1067.2	43.6	1051.3	46.4
		2600	1410.1	27.5	1397.4	30.8	1359.2	40.6	1332.3	47.2	1303.0	53.7	1287.1	57.0
		3000	1645.9	34.7	1633.2	38.5	1595.0	49.8	1568.1	57.4	1538.8	65.0	1522.9	68.8
RBS 105	8"	1200	762.8	12.6	746.5	14.6	697.4	20.5	662.8	24.5	625.2	28.4	0	0
		1500	992.9	16.4	976.6	18.8	927.5	26.2	892.9	31.2	855.3	36.1	0	0
		2200	1529.8	26.7	1513.5	30.3	1464.5	41.1	1429.9	48.4	1392.2	55.6	1371.8	59.2
		2600	1836.7	33.9	1820.4	38.2	1771.3	51.0	1736.7	59.5	1699.1	68.1	1678.6	72.3
		3000	2143.5	42.2	2127.2	47.2	2078.1	62.0	2043.5	71.8	2005.9	81.7	1985.5	86.6
RBS 115	8"	900	842.4	14.1	823.1	16.3	764.9	23.0	723.9	27.4	679.3	31.8	0	0
		1400	1414.3	24.0	1395.0	27.4	1336.8	37.7	1295.8	44.6	1251.2	51.4	1227.0	54.9
		1600	1643.0	28.6	1623.7	32.5	1565.5	44.3	1524.5	52.1	1480.0	60.0	1455.7	63.9
		2000	2100.5	39.4	2081.2	44.3	2023.0	59.0	1982.0	68.8	1937.4	78.6	1913.2	83.5
		2400	2558.0	52.5	2538.7	58.4	2480.5	76.0	2439.5	87.8	2394.9	99.6	2370.7	105.4
RBS 125	10"	900	1093.3	17.9	1070.3	20.7	1001.3	29.2	952.6	34.8	899.7	40.5	0	0
		1400	1824.0	30.1	1801.1	34.5	1732.0	47.6	1683.3	56.4	1630.4	65.1	1601.6	69.5
		1600	2116.3	35.7	2093.3	40.7	2024.3	55.7	1975.6	65.8	1922.6	75.8	1893.9	80.8
		2000	2700.9	48.6	2677.9	54.9	2608.9	73.6	2560.2	86.2	2507.2	98.7	2478.4	105.0
		2400	3285.4	64.2	3262.5	71.7	3193.4	94.2	3144.7	109.2	3091.8	124.3	3063.0	131.8
RBS 135	10"	900	1631.7	26.2	1603.3	30.2	1517.9	42.5	1457.6	50.7	1392.1	58.8	1356.5	62.9
		1200	2267.1	36.6	2238.7	42.0	2153.3	58.4	2093.0	69.3	2027.5	80.2	1991.9	85.6
		1400	2690.7	44.4	2662.3	50.7	2576.9	69.8	2516.6	82.5	2451.1	95.2	2415.5	101.5
		1600	3114.3	52.9	3085.9	60.1	3000.5	81.9	2940.2	96.4	2874.7	111.0	2839.1	118.2
		1800	3537.9	62.3	3509.5	70.5	3424.1	94.9	3363.8	111.3	3298.3	127.6	3262.7	135.8
RBS 145	12"	900	2364.6	37.7	2322.3	43.6	2195.1	61.5	2105.4	73.3	2007.9	85.2	0	0
		1200	3289.1	52.4	3246.8	60.3	3119.6	84.1	3029.9	99.9	2932.4	115.8	2879.4	123.7
		1400	3905.5	63.2	3863.2	72.4	3736.0	100.1	3646.3	118.6	3548.7	137.1	3495.7	146.4
		1600	4521.8	74.9	4479.5	85.5	4352.3	117.1	4262.6	138.3	4165.1	157.4	4112.1	170.0
		1800	5138.2	87.7	5095.9	99.6	4968.6	135.2	4878.9	159.0	4781.4	182.8	4728.4	194.7
RBS 165	12"	650	2606.9	48.5	2556.2	55.2	2403.5	75.1	2295.9	88.3	2178.8	101.6	2115.2	108.2
		900	3798.3	67.2	3747.5	76.4	3594.9	103.9	3487.2	122.3	3370.2	140.7	3306.6	149.9
		1100	4751.4	82.1	4700.6	93.3	4548.0	127.0	4440.3	149.5	4323.3	172.0	4259.7	183.2
		1300	5704.5	97.0	5653.7	110.3	5552.6	150.1	5393.4	176.7	5276.4	203.2	5212.8	216.5
		1500	6657.6	112.0	6606.8	127.3	6505.7	173.2	6346.5	203.9	6229.5	234.5	6165.9	249.8
RBS 175	14"	650	3633.2	66.4	3579.4	75.3	3417.7	102.0	3303.6	119.8	3179.6	137.6	0	0
		900	5230.5	92.0	5176.7	104.3	5015.0	141.3	490.9	165.9	4776.9	190.6	4709.5	180.3
		1100	6508.4	112.4	6454.6	127.5	6292.8	172.6	6178.8	202.8	6054.8	232.9	5987.4	248.0
		1300	7786.2	132.9	7732.4	150.7	7570.7	204.0	7456.7	239.7	7332.7	275.2	7265.3	293.0
		1500	9064.1	153.3	9010.3	173.9	8848.6	235.4	8734.5	276.5	8610.5	317.6	8543.1	338.1
RBS 205	16"	600	4641.9	83.2	4575.4	94.5	4375.5	128.5	4234.5	151.1	4081.3	173.8	0	0
		750	5963.0	104.0	5896.5	118.1	5696.6	160.6	5555.6	188.9	5402.4	217.2	5319.1	231.4
		850	6843.7	117.9	6777.2	133.9	6577.3	182.0	6436.4	214.1	6283.1	246.2	6199.8	262.2
		1000	8164.8	138.7	8098.3	157.5	7898.4	214.1	7757.5	251.9	7604.2	289.6	7520.9	308.5
		1200	9926.3	166.4	9859.8	189.0	9659.8	256.9	9519.0	302.2	9365.7	347.5	9282.4	370.2

Performance based on inlet air at standard temperature of 68° F, an ambient pressure of 14.7 psia and 36% relative humidity. For performance at non-standard conditions, contact your authorized Gardner Denver representative.

# Horizontal Configurations

RBS	WEIGHT	A	B	C	D	E	F	G	H	I	L	M	Q	S	U	V	W MM	X	Y
RBS 15	79	7.87	6.89	0.51	9.76	8.07	7.87	7.52	4.41	1.34	15.39	2"	8.78	0.04	11.57	9.92	24	0.31	1.06
RBS 25	90	7.87	8.27	0.51	9.76	9.45	8.58	8.19	4.41	1.34	16.77	2.5"	8.78	0.04	12.91	9.92	24	0.31	1.06
RBS 35	187	11.61	8.46	0.47	13.03	9.88	9.57	10.43	6.30	1.67	20.00	3"	12.56	0.04	15.43	11.61	38	0.39	1.61
RBS 45	214	11.61	10.83	0.47	13.03	12.24	10.75	11.61	6.30	1.67	22.36	3"	12.56	0.04	17.80	11.61	38	0.39	1.61
RBS 46	258	11.61	14.76	0.47	13.03	16.18	12.76	13.58	6.30	1.67	26.34	4"	12.56	0.04	21.73	11.61	38	0.39	1.61
RBS 55	317	13.39	10.87	0.55	15.16	12.68	12.17	12.99	7.28	2.11	25.16	4"	14.53	0.04	19.33	13.58	48	0.55	2.03
RBS 65	353	13.39	13.43	0.55	15.16	15.24	13.39	14.21	7.28	2.11	27.60	6"	14.53	0.04	21.85	13.58	48	0.55	2.03
RBS 66	425	13.39	17.76	0.55	15.16	27.44	15.59	16.42	7.28	2.11	32.01	6"	14.53	0.04	26.18	13.58	48	0.55	2.03
RBS 75	463	14.57	12.44	0.71	16.54	14.53	13.58	14.37	0.98	2.66	27.95	6"	17.68	0.04	21.61	16.34	55	0.63	2.32
RBS 85	551	14.57	16.97	0.71	16.54	18.98	15.94	16.65	8.86	2.66	32.60	6"	17.68	0.04	26.18	16.34	55	0.63	2.32
RBS 86	697	14.57	21.30	0.71	16.54	23.31	18.11	18.82	8.86	2.66	36.93	8"	17.68	0.04	30.51	16.34	55	0.63	2.32
RBS 95	794	16.93	15.98	0.71	19.13	18.19	16.34	17.68	10.43	3.31	34.02	6"	20.83	0.04	26.61	20.55	60	0.71	2.52
RBS 105	882	16.93	19.72	0.71	19.13	21.93	18.23	19.57	10.43	3.31	37.80	8"	20.83	0.04	30.35	20.55	60	0.71	2.52
RBS 106	970	16.93	25.63	0.71	19.13	27.83	21.18	22.52	10.43	3.31	43.70	8"	20.83	0.04	36.26	20.55	60	0.71	2.52
RBS 115	1191	21.65	18.90	0.87	25.20	21.10	18.62	20.20	11.81	4.17	38.82	8"	23.58	0.04	30.75	24.33	70	0.79	2.93
RBS 125	1334	21.65	23.23	0.87	25.20	25.43	20.79	22.36	11.81	4.17	43.15	10"	23.58	0.04	35.08	24.33	70	0.79	2.93
RBS 126	1477	21.65	31.10	0.87	25.20	33.31	24.72	26.30	11.81	4.17	51.02	10"	23.58	0.04	42.95	24.33	70	0.79	2.93
RBS 135	2006	26.77	21.34	1.02	30.31	23.62	21.18	23.31	14.17	5.31	44.49	10"	28.31	0.04	35.12	31.10	85	0.87	3.54
RBS 145	2293	26.77	29.41	1.02	30.31	31.69	25.24	22.40	14.17	5.31	52.60	12"	28.31	0.04	43.23	31.10	85	0.87	3.54
RBS 155	2601	26.77	35.31	1.02	30.31	37.60	28.19	30.31	14.17	5.31	58.50	12"	28.31	0.04	49.13	31.10	85	0.87	3.54
RBS 165	3946	31.50	29.53	1.18	36.22	32.48	26.61	29.53	15.75	6.69	56.14	12"	31.42	0.08	45.79	38.35	100	1.10	4.17
RBS 175	4167	31.50	3.82	1.18	36.22	41.14	30.94	33.86	15.75	6.69	64.80	14"	31.42	0.08	54.45	38.35	100	1.10	4.17
RBS 205	6327	40.16	35.04	1.42	44.88	38.19	31.22	32.91	19.69	8.39	64.13	16"	39.29	0.08	52.01	47.36	120	1.26	5.00
RBS 225	7209	40.16	48.82	1.42	44.88	51.97	38.11	39.80	19.69	8.39	77.91	20"	39.29	0.08	65.79	47.36	120	1.26	5.00

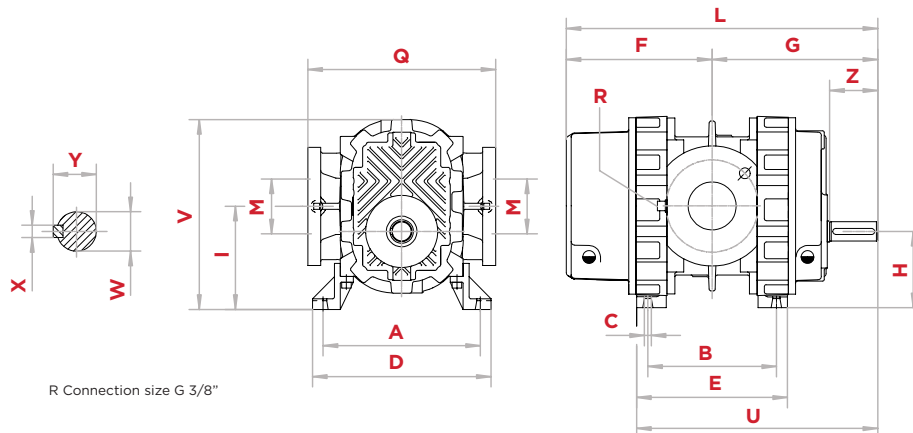
Inlet and outlet connections are the same type and size. Dimensions are in inches unless otherwise noted. Weights are in pounds and are approximate.



# Vertical Configurations

RBS	WEIGHT	A	B	C	D	E	F	G	H	I	L	M	Q	U	V	W MM	Z	X	Y
RBS 15	79	5.16	6.89	0.51	7.05	8.07	7.87	7.52	4.41	5.75	15.39	2"	8.74	11.57	10.71	24	1.97	0.31	1.06
RBS 25	90	5.16	8.27	0.51	7.05	9.45	8.58	8.19	4.41	5.75	16.77	2.5"	8.74	12.91	10.71	24	1.97	0.31	1.06
RBS 35	187	10.47	8.46	0.47	11.89	9.88	9.57	10.43	5.20	6.89	20	3"	12.52	15.43	12.60	38	3.15	0.39	1.61
RBS 45	214	10.47	10.83	0.47	11.89	12.24	10.75	11.61	5.20	6.89	22.36	3"	12.52	17.80	12.60	38	3.15	0.39	1.61
RBS 46	258	10.47	14.76	0.47	11.89	16.18	12.76	13.58	5.20	6.89	26.34	4"	12.52	21.73	12.60	38	3.15	0.39	1.61
RBS 55	317	11.14	10.87	0.55	12.91	12.68	12.17	12.99	6.30	8.39	25.16	4"	14.49	19.33	15.16	48	4.33	0.55	2.03
RBS 65	353	11.14	13.43	0.55	12.91	15.24	13.39	14.21	6.30	8.39	27.60	6"	14.49	21.85	15.16	48	4.33	0.55	2.03
RBS 66	425	11.14	17.76	0.55	12.91	19.57	15.59	16.42	6.30	8.39	32.01	6"	14.49	26.18	15.16	48	4.33	0.55	2.03
RBS 75	463	12.80	12.44	0.71	14.76	14.45	13.58	14.37	7.09	9.72	27.95	6"	17.64	21.61	17.91	55	4.33	0.63	2.32
RBS 85	551	12.80	16.97	0.71	14.76	18.98	15.94	16.65	7.09	9.72	32.60	6"	17.64	26.18	17.91	55	4.33	0.63	2.32
RBS 86	697	12.80	21.30	0.71	14.76	23.31	18.11	18.82	7.09	9.72	36.93	8"	17.64	30.51	17.91	55	4.33	0.63	2.32
RBS 95	794	15.43	15.98	0.71	17.64	18.19	16.34	17.68	7.87	11.18	34.02	6"	20.79	26.61	21.46	60	5.51	0.71	2.52
RBS 105	882	15.43	19.72	0.71	17.64	21.93	18.23	19.57	7.87	11.18	37.80	8"	20.79	30.35	21.46	60	5.51	0.71	2.52
RBS 106	970	15.43	25.63	0.71	17.64	27.83	21.18	22.52	7.87	11.18	43.70	8"	20.79	36.26	21.46	60	5.51	0.71	2.52
RBS 115	1191	17.13	18.90	0.87	20.71	21.10	18.62	20.20	9.84	14.02	38.82	8"	23.54	30.75	26.38	70	5.51	0.79	2.93
RBS 125	1334	17.13	23.23	0.87	20.71	25.43	20.79	22.36	9.84	14.02	43.15	10"	23.54	35.08	26.38	70	5.51	0.79	2.93
RBS 126	1477	17.13	31.10	0.87	20.71	33.31	24.72	26.30	9.84	14.02	51.02	10"	23.54	42.95	26.38	70	5.51	0.79	2.93
RBS 135	2158	22.44	21.34	1.02	25.20	23.62	21.18	23.31	11.02	16.34	44.49	10"	28.27	35.12	32.09	85	6.69	0.87	3.54
RBS 145	2423	22.44	29.41	1.02	25.20	31.69	25.24	27.36	11.02	16.34	52.60	12"	28.27	43.23	32.09	85	6.69	0.87	3.54
RBS 155	2643	22.44	35.31	1.02	25.20	37.60	28.19	30.31	11.02	16.34	58.50	12"	28.27	49.13	32.09	85	6.69	0.87	3.54

Inlet and outlet connections are the same type and size. Dimensions are in inches unless otherwise noted. Weights are in pounds and are approximate.



The leader in every market we serve  
by continuously improving all business processes  
with a focus on innovation and velocity

**Gardner**  
**Denver**<sup>®</sup>

**Gardner Denver, Inc.**

1800 Gardner Expressway  
Quincy, IL 62305  
866-428-4890

[www.gardnerdenver.com/gdproducts](http://www.gardnerdenver.com/gdproducts)



©2017 Gardner Denver, Inc. Printed in U.S.A.  
PD-R-RBS 3rd Ed. 4/17

