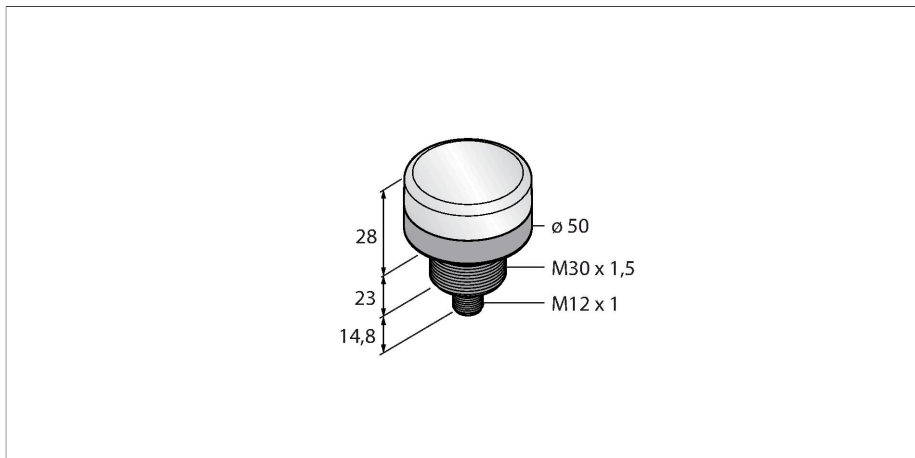


WL50SGL20Q

Work Light – Spotlight



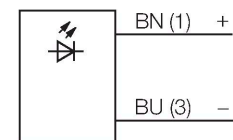
Technical data

| | |
|--------------------------------|-------------------------------|
| Type | WL50SGL20Q |
| ID | 3019037 |
| Signal and display data | |
| Purpose | LED work light |
| Function | Spotlight |
| Light type | Green |
| Luminous flux lumen | 190 lm |
| Aperture angle degree | 20 ° |
| Beam angle | 20° |
| LED service life (L70) | 50000 h |
| Dimmable | no |
| Features of color 1 | Green, Permanently on, 190 lm |
| Special features | Wash down |
| Electrical data | |
| Operating voltage | 12...30 VDC |
| DC rated operational current | ≤ 400 mA |
| Input power | 1.7 W |
| Mechanical data | |
| Cascadable | No |
| Design | Puck, WL50S |
| Dimensions | Ø 50 x 65.8 mm |
| Housing material | Metal, AL, Black |
| Window material | Polycarbonate, clear |
| Electrical connection | Connector, M12 × 1, PVC |
| Number of cores | 5 |
| Ambient temperature | -20...+50 °C |

Features

- Operating voltage: 12...30 VDC
- Protection class: IP69K
- Metal housing
- Color green
- M12 x 1 connector

Wiring diagram




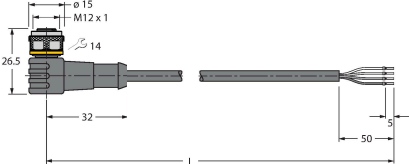
Functional principle

The energy-efficient LED work lights are ideally suited for industrial applications. The rugged IP69K protected versions can be used in many demanding applications where bright and uniform illumination is required. The electrical connection is either established via standard M12x1 connector or pigtail directly at the clamp connection of existing installations. On some models the light output is continuously dimmable via a PWM signal on pin 4.

Technical data

| | |
|------------------------|--------------|
| Storage temperature | -40...+70 °C |
| Relative humidity | 0...95 % |
| Protection class | IP67 IP69 |
| Tests/approvals | |
| Approvals | CE |

Accessories

| Dimension drawing | Type | ID | |
|--|---------------|---------|--|
|  | RKC4.4T-2/TEL | 6625013 | Connection cable, female M12, straight, 4-pin, cable length: 2 m, sheath material: PVC, black; cULus approval; other cable lengths and qualities available, see www.turck.com |
|  | WKC4.4T-2/TEL | 6625025 | Connection cable, female M12, angled, 4-pin, cable length: 2 m, sheath material: PVC, black; cULus approval; other cable lengths and qualities available, see www.turck.com |