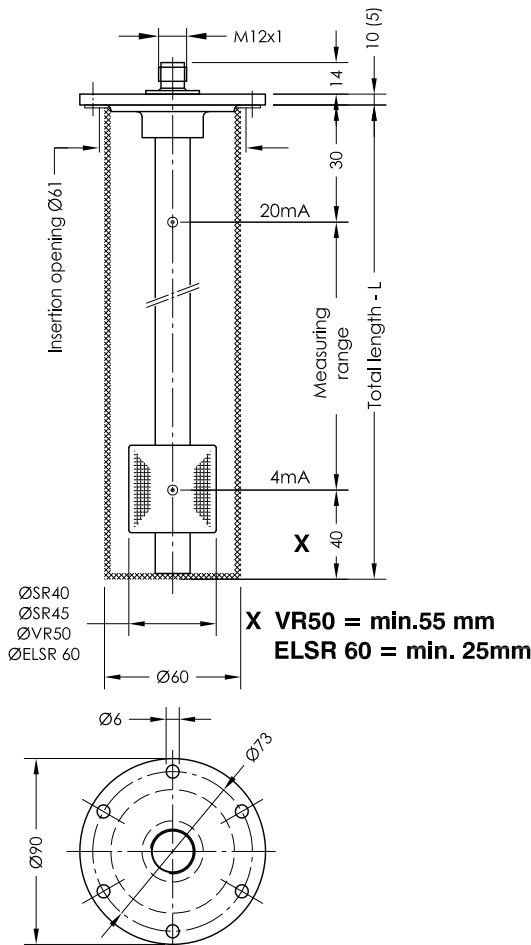


NR 85 - MA

Level - temperature controller with resistance measuring chain
and resistance thermometer, output 4-20 mA

serial No. Date
MA-GB- 308 07/20



Pin assignment

3-polig + PE
EN 175301-803 (DIN 43650)
level 1 = +12-30V DC
2 = level

M12 - 5 polig
level 1 = +12-30V DC
4 = level

3-polig + PE
EN 175301-803 (DIN 43650)
level 1 = +12-30V DC
+ temperature 2 = level
3 = temperature

Plug securing power supply

M12 - 5-polig
and
6 pol. + PE
and
6+PE - EN 175201-804 (DIN 43651)

level 1 = +12-30V DC
+ temperature 4 = level
2 = temperature

separate level 1 = +12-30V DC
4 = level
+ temperature 2 = +12-30V DC
3 = temperature
5 = Thermocontact
6 = Thermocontact

Specimen order

NR 85-MAS-SR45-L300-T-0-MS-M12

MA = without protective tube
MAS = with protective tube

Float type
SR40 with attachment 25mm
SR45
VR50
ELSR 60

Total length-L
switching tube (mm)
Standard length (special length)
L=250 L=900 L=1500
L=370 L=1000 L=1600
L=500 L=1100 L=1700
L=600 L=1200 L=1800
L=700 L=1300 L=1900
L=800 L=1400 L=2000

T = temperature
0 = without temperature

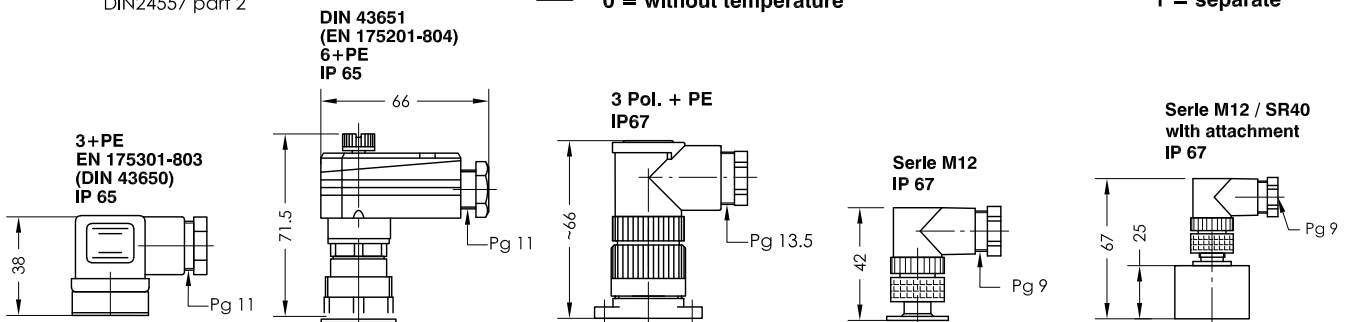
Plug socket connector
3+PE
DIN 43651
M12
3 pol. + PE

Execution
MS = Brass
VA = Flange,
Switching tube
and float
stainless steel
VAPA = Flange PA,
Switching tube
stainless steel

0 = combined
1 = separate

Order code

Connector variants



Description

The level temperature regulator, type NR 85 - MA designed for container installation, is a contact less electromagnetic switch serving for continuous teletransmission of liquid levels and temperature.

Via cables of any length, level and temperature can be continuously evaluated for automatic control and display.

The level controller contains a resistance measuring chain and a Pt100 resistor.

The level and temperature dependent signal is converted in the integrated measuring transducer into a linear current change of 4-20mA. Optionally fixed mounted bistable level contacts can be installed additionally.

The level controller is maintenance-free when nondeposit media are used.

The device must only be installed by specialists.

Max. viscosity SR 45 - 320mm²/S
VR 50 - 320mm²/S

Technical data

Protective tube	Stainless steel
Switching tube	Brass or stainless steel max. L 2000mm
Connection flange	Polyamide or stainless steel with flat seal
Nominal pressure	1 bar max. - float Hard-PU SR40, SR45 10 bar max. - float, Flange stainless steel VR50 ELSR 60
Temperature of medium	100°C max.
Operating voltage	12V ... 30V DC
Measuring range	4-20 mA = 0-100 °C
Thermal element	Pt100
Contact pitch	7,5 mm
Load	RB = U-12V 20mA
Mounting position	vertical ± 30°
Other temperature ranges	on request



GOLDAMMER
REGELUNGSTECHNIK GMBH

SCHÖLLERSHEIDER STR. 15 PHONE (49) 2104/12093
P.O.BOX 10 02 17 FAX (49) 2104/12028
D-40802 METTMANN www.Goldammer-Regelungstechnik.com
info@goldammer-regelungstechnik.com